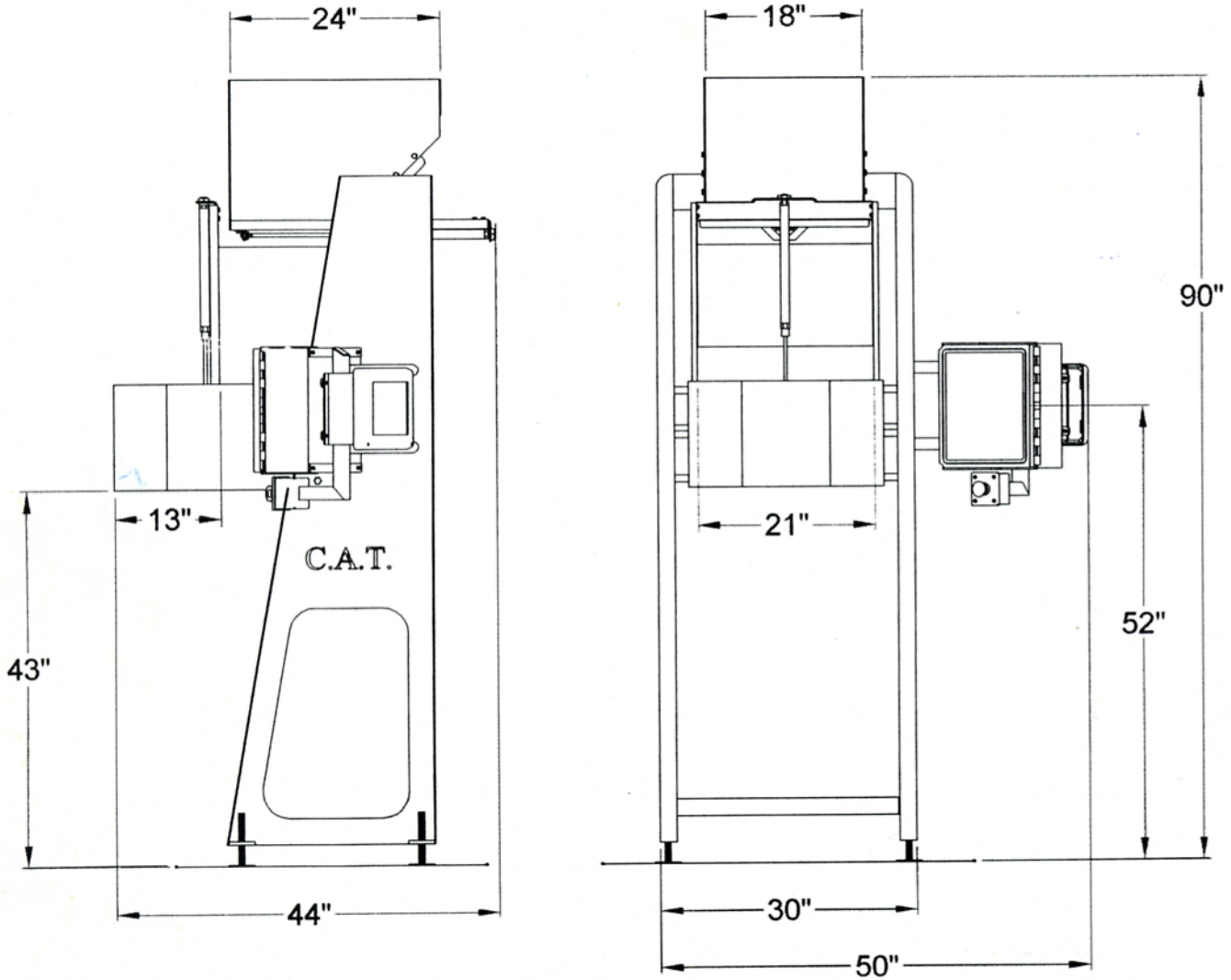


# C.A.T. CYCLECAT Hopper Scale



## **Power Requirements**

PRIMARY: Input 90 - 250 VAC @ 50/60 Hz

SECONDARY: Input 24 VAC or 24 VDC

Supplied Air Regulator @ 60 psi

**C.A.T.**

Cooling & Applied Technology, Inc.