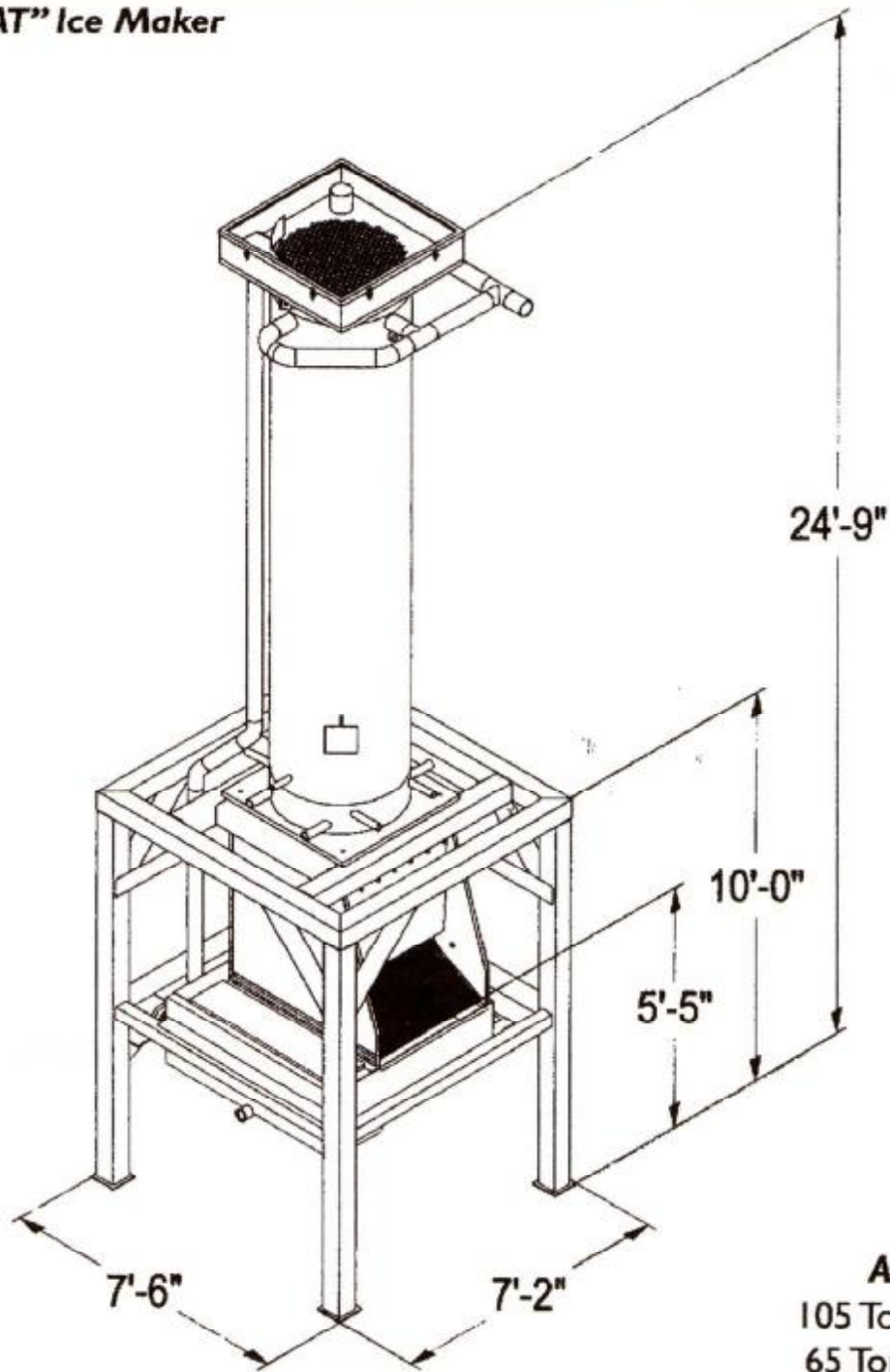


C.A.T. "ICECAT" Ice Maker



Performance Specifications

Capacity: 10 to 100 Ton of Ice per 24 Hours
Recirculated Ammonia @ 2:1 Ratio
1.7 T.R. (Tons of Refrigeration) per Ton of Ice
Suction Temperature: 14°f or Lower

C.A.T.
Cooling & Applied Technology, Inc.